

Director Chair

VENEZIA

Its precise and elegant lines plus the folding system are the key elements of this stylish seat; a resilient chair capable to adapt to either classy situations and informal happenings. Designed and manufactured in Italy.

You can find Venezia directors chair in conference rooms, outdoor areas, café patios as well as under a portico for Sunday brunch. These are just few examples of Venezia chair employ; in fact it perfectly integrates with corporate, cultural and academic events, as well as hotels or restaurants.

Venezia by Essedesign is timeless.





Venezia is a painted steel folding chair with solid brass details. Seat and back cover is totally removable, colour and material are customizable.



Venezia chair resembles the town of Venice (Venezia, in Italian): historical, astonishing, discreet, unique and elegant. Such chair, on the market since the '60s, is manufactured by Essedesign on the basis of the '50s original designs.



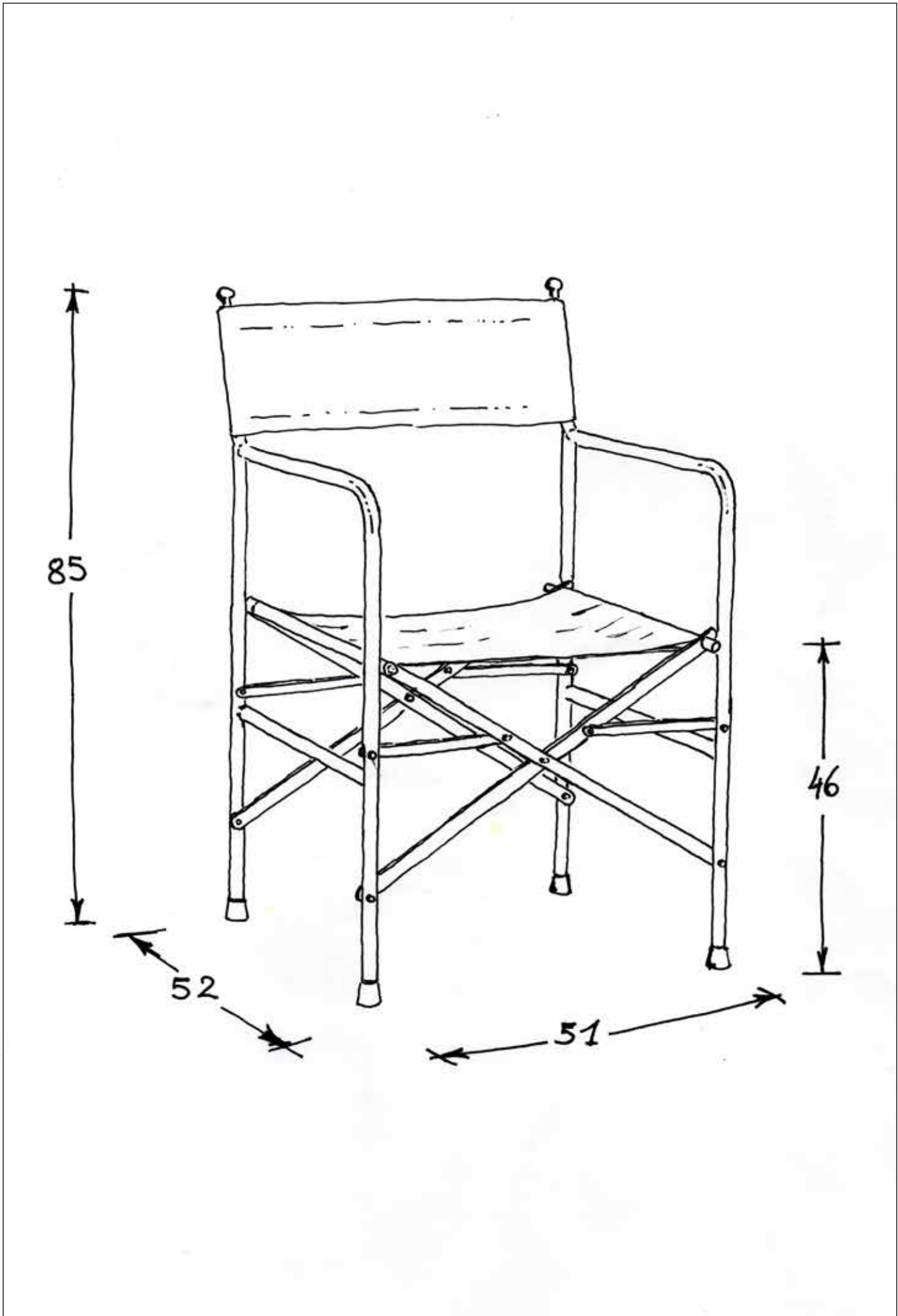
Venezia originates its shape from classic directors chairs; the one traditionally with wooden structure and harder lines. Venezia stands out for the artistic value, better ergonomics, smooth lines as the mastery of increasing locations' aesthetic and going perfect with any spot.

~

Product design was assigned to a group of young designers and inspiration came during a project work in Venice. Difficulties in displacements have inspired the change of material, from wood to steel. Steel is solid, indestructible and water resistant: all crucial elements for an easy-use chair.

~

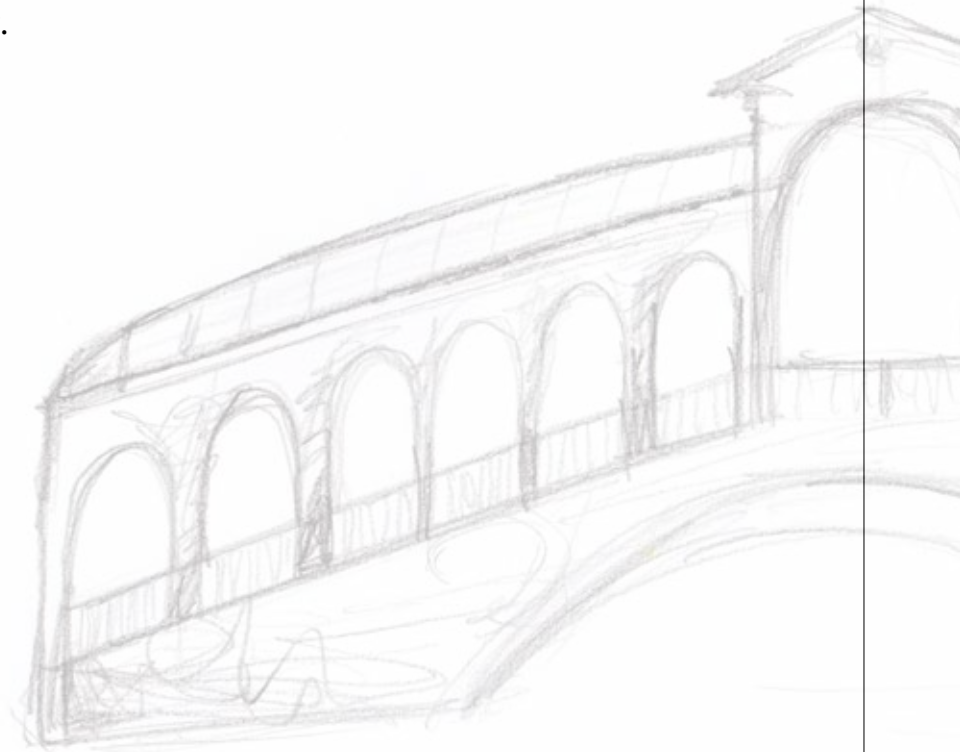




~

Brass reminds of flourishing Venetian trades, weft of backrest and seating cover reminds the millennial business of fishing.

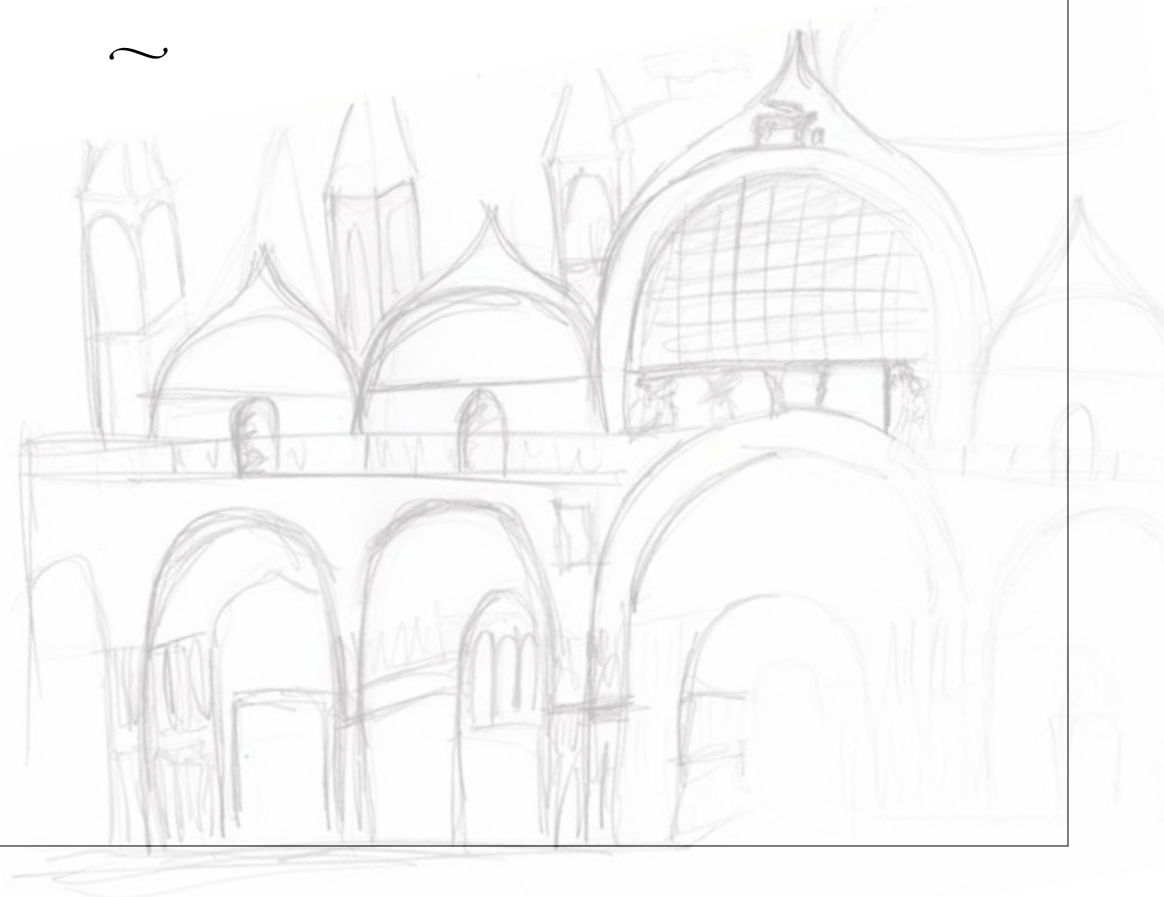
~



~

Spires of San Marco Basilica are the knobs.

~



Iron balustrades of Venetian bridges inspired black epoxy powder coating.

~

Town on Venice has two complementary souls, business and art: so it is Venezia director chair.

~

You can capture pragmatism of business in the folding structure: robust, functional, easy to open, close and store. Aesthetics are in the steel/tissue contrast, in the uniqueness of knobs and in the handcrafted manufacturing process.



Bridges, spires and history of the city of Venice itself are summarized in Venezia director's chair.

~

Venezia by Essedesign is Venice: Italian concept, heart and soul.

~

Calling it just as a chair is simplistic: Venezia by Essedesign is part of the human dimension that perfectly integrates with where it is placed and it is catalyst for interpersonal relationships.





How Venezia Chair is designed

Venezia by Essedesign has been conceived with a precise goal: being a quality refined and handy chair that buyers can customize. A valuable chair for temporary installations.

Venezia by Essedesign has an FE steel structure shaped by press brakes, pipe-bending, welding torches and lathes. Machine tools transform bars, pipes and rods in those components that, once veneered, shaped, lathed, drilled, filleted and welded, make chair frame.

Steel processing requires workers' dedication, talent, innovation, love and accuracy.

~

That is why Venezia should be considered an artisanal item: manual skills and know-how play a crucial role in all manufacturing steps, from first cuts to final assembly.

~

Study of materials involves backrest and seat material, warm and cosy heart of Venezia director chair. Choice lies between textile and textilene: resistant cotton fibres combine softness with support and the textilene, polyester coated in PVC, meant for who needs directors chairs for outdoor use. Textilene yarns are not effected by weather.



Who Chose Venezia by Essedesign

Robust and cleverly conceived frame makes Venezia directors chair an excellent chair for outdoor and indoor space. Variety of structure finishes and seat/backrest covers makes it a versatile seating that matches to any decoration till almost blend and disappear.



Director Chair Venezia by Essedesign has pure soul of kids and charisma of leaders.



Lightness, structure charm and the romance that surrounds Venezia make it a timeless design chair that fits luxury locations, historical palaces, patios and gardens as well as modern buildings.



Venezia by Essedesign has been ordered
by museums, cafés, foundations, town
councils and hotels.



REFERENCES

~ MUSEUMS ~

Vatican Museums - Vatican City
 Santa Giulia Museum - Brescia
 Santa Caterina Museum - Treviso

~ HISTORICAL BUILDINGS ~

Palazzo Farnese – Rome
 Palazzo Giustiniani - Rome
 Palazzo Ferro Fini – Venice
 Palazzo Ducale – Venice
 Palazzo Malaspina – Tavernelle Val di Pesa (Florence)
 Villa Crotta-De Manzoni – Sedico (Belluno)

~ LODGING AND DINING ~

Caffè degli Specchi – Trieste
 Camping Union Lido – Lido di Jesolo (Venice)
 Hotel Danieli – Venice

~ COMPANIES AND EVENT ~

Boffi Cucine – Lenate sul Seveso (Monza Brianza)
 Locker Spa – Bolzano
 Venice Film Festival
 Oxygen Pavillion - Zambon Spa

~ PUBLIC ADMINISTRATION AND FOUNDATIONS ~

Venice City Council
 Feltre Town Council
 Cassamarca Foundation - Treviso
 Leonardo Sciascia Foundation - Racalmuto (Agrigento)



Essedesign

Via Bacchieghe, 12/B - 31044 Montebelluna (TV) - Italy
 info@essedesign.it - www.essedesign.it