

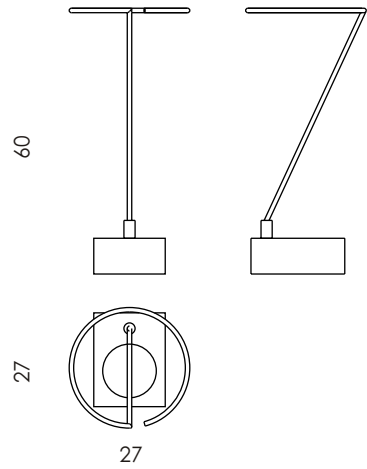
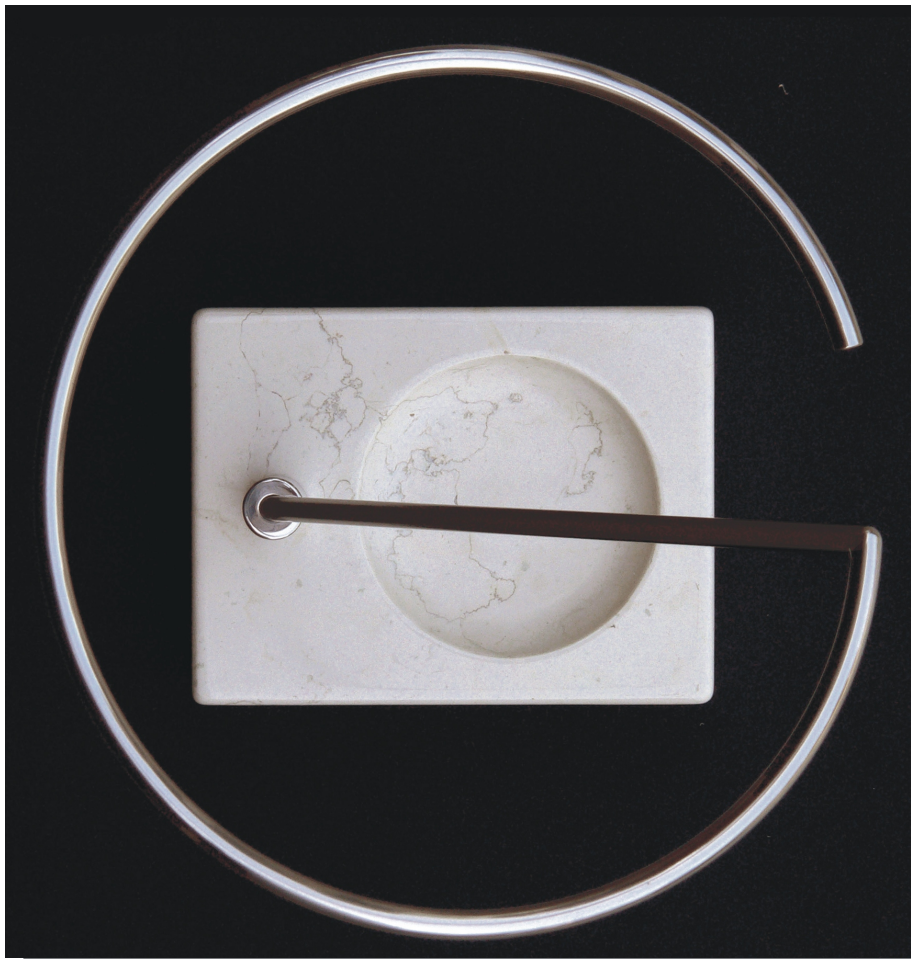
KEIM

SILMS

COMPLEMENTS FOR THE ARCHITECTURE



100% MADE IN ITALY



KEIM

Portaombrelli.
Umbrella stand.

Anno di produzione: 1997.
Year of production: 1997.

Base: marmo *Biancone Asiago*.
Base: *Biancone Asiago* marble.

Struttura: acciaio inossidabile.
Frame: stainless steel.

Design: *Massimiliano Pavon*.



INSILVIS

www.insilvis.com

The images are purely illustrative; forms and colors can differ sensitively from the originals on account of the photographic shot or the printing system.

Copyright © IN SILVIS, 1997 - IN SILVIS Communication - Forme d'Italia

IS CA PS US 0011 - GB 1997